

NICE OLTRE

THE INVISIBLE MOTOR
FOR SWING GATES



Nice

OLTRE 1824

SOLEMYO OPERA BLUEBUS 24V

The invisible motor for swing gates weighing up to 100 kg and with a leaf length of up to 1.8 m.
24 VDC irreversible electromechanical gear motor.

Minimum visual impact

The motor is small enough to be easily installed inside the profiles of the gate leaf or in very slim posts (with a minimum diameter of 55 mm).

Easy to install

The bottom-up installation simplifies fixing of the motor inside the post.

Resistant

IP67 die-cast aluminium structure:
Oltre resists even the harshest weather conditions.

Quick and reliable

Complete opening (90°) of the leaf in about 10 seconds.
Oltre has been tested for use at 60 cycles/hour, making it suitable for all contexts with intensive use.

Safe

Easy-to-use external manual release: the gate can always be opened manually, without having to take it apart.

Dedicated Moonclever MC824L control unit:

- easy to programme;
- self-learning of opening and closing limit positions;
- automatic fault diagnostics;
- programming of pause time;
- pedestrian pass door;
- deceleration during opening and closing;
- obstacle detection with dual technology;
- operation in event of power failure by means of optional rechargeable battery (PS324);
- provision for connection of resistive sensitive edges.

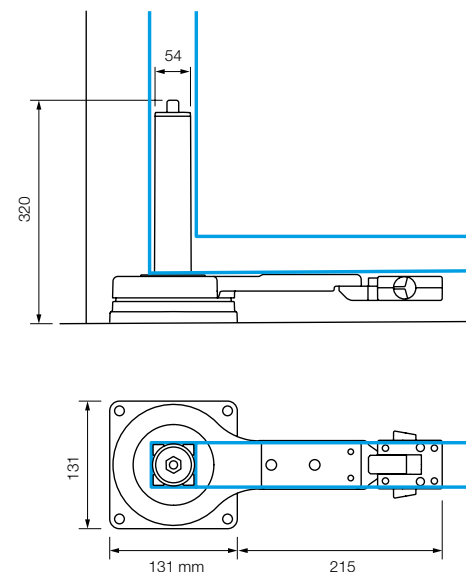


CODE	DESCRIPTION	PCS./PALLET
OLTRE1824	24 Vdc IRREVERSIBLE FOR INSTALLATION ON POST OR LEAF PROFILE, WITH RELEASE LEVER	20

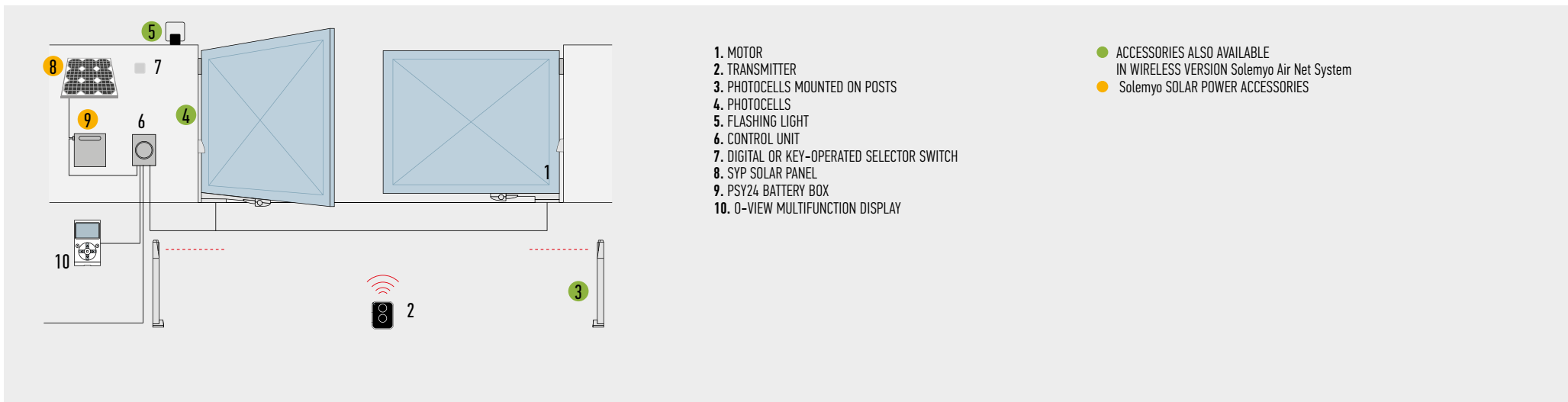
TECHNICAL SPECIFICATION

CODE	OLTRE1824
ELECTRICAL DATA	
POWER SUPPLY (VDC)	24
CURRENT DRAW (A)	1
POWER (W)	25
PERFORMANCE DATA	
SPEED (RPM)	1,5
TORQUE (NM)	150
WORKING CYCLE (CYCLES/HOUR)	60
DIMENSIONAL AND GENERAL DATA	
PROTECTION CLASS (IP)	67
OPERATING TEMP. (°C MIN/MAX)	-20 ÷ +50
DIMENSIONS (MM)	305x145x346 h
WEIGHT (KG)	5,5

DIMENSIONS



INSTALLATION DIAGRAM



COMPATIBILITY TABLE WITH CONTROL SYSTEMS AND ACCESSORIES

CODE	CONTROL UNIT / RECEIVER							TRANSMITTER				PHOTOCELLS							FLASHING LIGHT									
	A01 / built-in*	A02 / built-in*	A6F / FLDX12R*	A700F / FLDX12R*	A40 / DXI-SMXI*	A500 / FLOX12R*	A924 / FLOX12R*	MC424L / DXI	MC824L / DXI	MC824HR / DXI	ERA INTI	ERA ONE	ERA FLOR	NICEWAY	EPS	EPM	EPL	EP5B	EPMB	EPLB	F210	FT210	F210B	FT210B	EL	EL24	ELB	WLT
OLTRE1824								●			●	●	●	●				●	●	●			●				●	●

*Radio receiver not compatible with the Opera system

ACCESSORIES



PS324
 24 V BATTERY WITH BUILT-IN
 CHARGER
 PCS./PACK. 1



PLA10
 VERTICAL 12 V ELECTRIC
 LOCK (OBLIGATORY FOR
 LEAFS LONGER THAN 3 M)
 PCS./PACK. 1



PLA11
 HORIZONTAL 12 V ELECTRIC
 LOCK (OBLIGATORY FOR
 LEAFS LONGER THAN 3 M)
 PCS./PACK. 1



TS
 SIGN.
 PCS./PACK. 1



SOLEMYO KIT
 FOR SOLAR POWERING
 OF GATES, GARAGE DOORS
 AND BARRIERS.

TECHNOLOGY AS SIMPLE AS A GESTURE



NICE, EASY SOLUTIONS FOR HOME AND BUILDING.

AUTOMATION AND CONTROL SYSTEMS FOR GATES, GARAGE DOORS, AWNINGS, ROLLING SHUTTERS AND ALARM SYSTEMS, WITH INTEGRATED MANAGEMENT THROUGH SMART INTUITIVE INTERFACES: PRACTICAL, FUNCTIONAL AND ELEGANT SOLUTIONS FOR THE IDEAL WAY TO LIVE EVERY SPACE.

Nice

Nice SpA
Oderzo TV Italia

www.niceforyou.com



Nice cares for the environment.
Using natural paper it avoids excessive use
of raw materials and forest exploitation.
Waste is reduced, energy is saved
and climate quality is improved.

Our products and our technologies are
protected with patents, design models and
brands. All violations will be prosecuted.